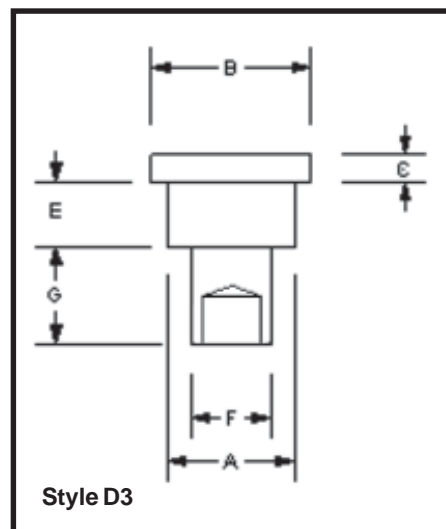
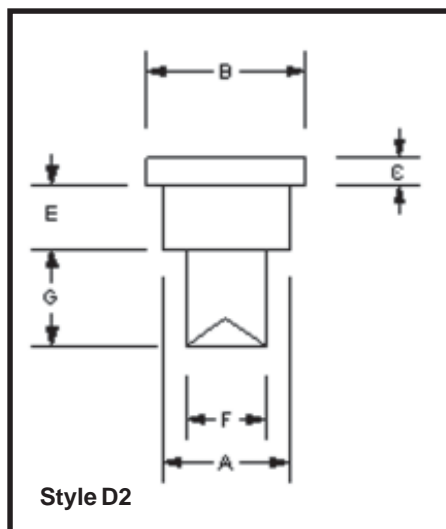
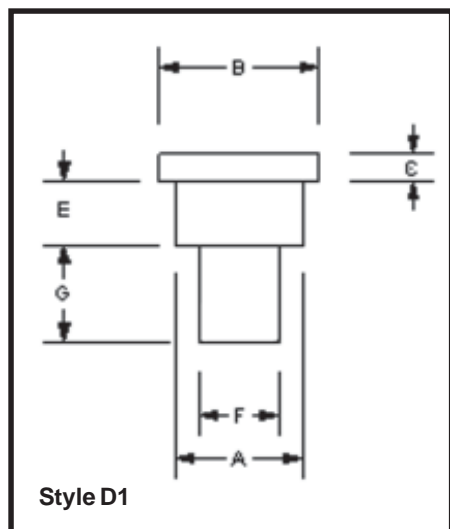
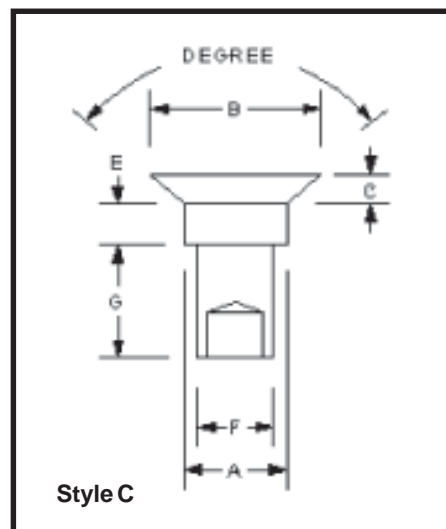
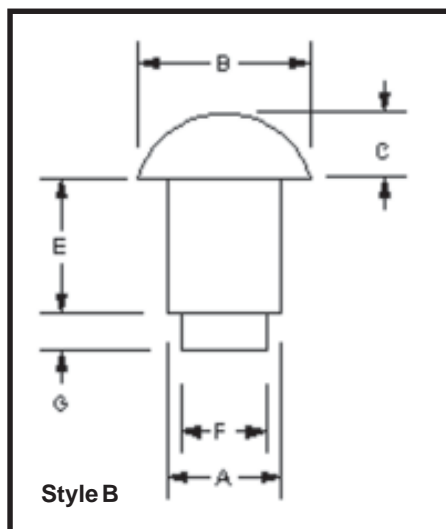
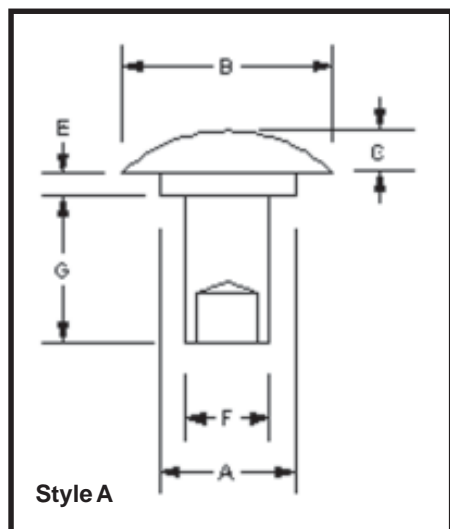


SHOULDER RIVET • QUOTATION REQUEST FORM

If you do not have a current drawing of your shoulder rivet requirement, please complete the form and email it to Ace Rivet for a prompt quotation.



STYLE	A	B	C	E	F	G	MATERIAL	FINISH	QUANTITY

NAME _____ TITLE _____

COMPANY _____

ADDRESS _____

CITY _____ PROV/STATE _____ POSTAL/ZIP CODE _____

TELEPHONE _____ FAX _____ E-MAIL _____